

Product Description:

TremLock™ Coping is designed with formed aluminum and steel including splice plates and anchor plates. The splice plates are concealed at each joint assuring a watertight seal. The anchor plates are spaced intermittently over nailers on top of the parapet or directly into the wall to provide a positive lock with minimal labor.

Basic Uses:

TremLock™ Coping is designed as a parapet wall covering, protecting the top parapet walls and flashing plys from moisture intrusion, while providing for movement from expansion and contraction. It also eliminates exposed fasteners and continuous cleats, which are common with conventional copings.

Limitations:

Because TremLock™ Coping is a pre-finished material care must be exercised during fabrication and installation to avoid damage to the surface. Use clean gloves when handling material to avoid fingerprinting. Tools must be clean and properly dressed. Do not drag sheets over surfaces which may scratch or mar finish. The performance of this material in the field depends on the integrity of the film and the adhesion of the underlying coating of zinc. TremLock™ Coping should not be used in areas of high abrasion or where it is subject to mechanical damage.

Packaging:

Available in 10' (3.05 mm) stock lengths.

Available in Sizes:

- 6" (152 mm) - 32" (812 mm) wall widths.

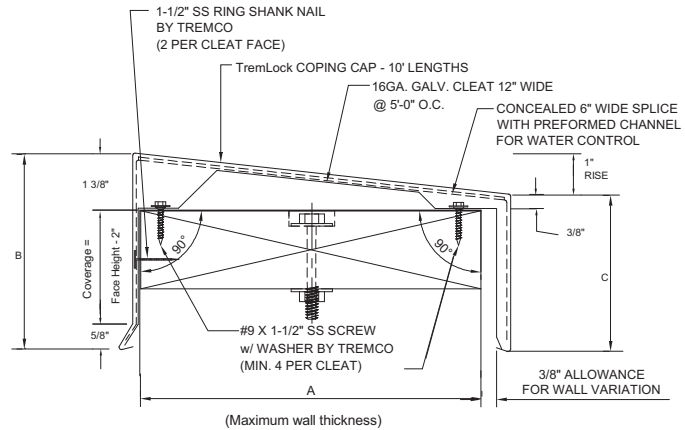
Pre-fabricated corners, end caps, and additional components are available in single units.

Finish/Color:

Available in: 0.050" (1.3 mm), 0.063" (1.6 mm), .080 (2.03 mm), .125 (3.17 mm) aluminum and 24 ga. (.64 mm) galvanized steel. All aluminum and steel are coated with Kynar 500®/Hylar 5000™ fluorocarbon base top coated applied over a quality matched primer, with the same primer on the back side for additional protection. (Refer to color chart for availability and colors).

Installation Procedures:

Corners and end caps must be installed prior to the standard coping lengths. Place factory-welded corners upside down on a sheet of plastic or other smooth surface to avoid scratching the finish. Position the splice plate in the center of the anchor plate, install splice plate and anchor plate assembly into the top face of the parapet wall at each corner end. For outside/inside miters, use corner supports.



Product Advantages

- | | |
|--|---|
| <p>Factory Fabricated</p> <p>Accessory Items</p> | <ul style="list-style-type: none"> • A fully engineered coping system • Eliminates field fabrication of accessories • Reduces installation costs |
| <p>No Exposed Fasteners</p> | <ul style="list-style-type: none"> • Reduced leak sources • Accommodates movement |
| <p>Kynar 500®/Hylar 5000™ Coating</p> | <ul style="list-style-type: none"> • Long lasting performance • Clean neat appearance • Variety of colors available |

Place the corner assembly into position and secure at the exposed edge of the anchor plate using 4 masonry/wood fasteners min 3/16 x 1 in. To attach the unexposed edge of the anchor plate, remove corner and splice plate.

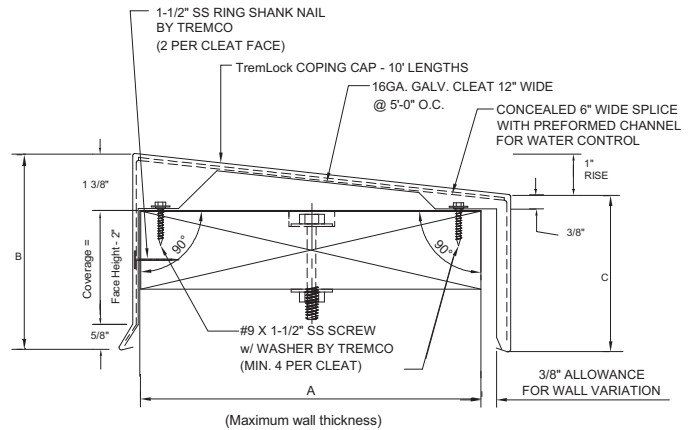
Attach anchor plate to top of wall at recommended spacing using (4) masonry/wood fasteners min 3/16 x 1 in. The front of the anchor plate must be installed tightly against the face of the parapet wall. Approx (1) every 5' (1.52 mm). Typical anchor plate spacing for walls less than 16" (.406 mm) wide is 60" (1.52 mm) O.C. For walls 17" (.433 mm) or greater, anchor plates to be spaced at 40" O.C. (1.02 mm). Center splice plates on anchor plate at all coping joints.

TremLock™ Coping

TremLock™ Coping

Physical Performance Characteristics

Property	Coated Aluminum		Coated Steel		Test Method
	Typical Value	Typical Value	Typical Value	Typical Value	
Dry Film Thickness	0.20 Mill Primer	0.20 Mill Primer	0.20 Mill Primer	0.20 Mill Primer	ASTM D 1400
Thickness Nominal	0.80 Mill Topcoat	0.80 Mill Topcoat	0.80 Mill Topcoat	0.80 Mill Topcoat	
Pencil Hardness	HB-H	HB-H	HB-H	HB-H	ASTM D 3363
Flexibility: No Cracking Mandrel		No Cracking	No Cracking	No Cracking	ASTM D 522
Color Retention		Passes 5000 Hrs. Max 5 units Change 8	Passes 5000 Hrs. Max 5 units Change 8	Passes 5000 Hrs. Max 5 units Change 8	ASTM D 822 ASTM D 2244
Chalk Resistance	Max Chalk = Rating of 8	Max chalk = Rating of 8	Max chalk = Rating of 8	Max chalk = Rating of 8	ASTM D 4214
Film Erosion Rate:	<0.01 mils/year	<0.01 mils/year	<0.01 mils/year	<0.01 mils/year	Average mill eroded/year



Fully engage hook on face of coping with front leg of anchor plates. Pivot coping into position and press down firmly over each anchor plate until hook on rear leg locks into place. (Refer to installation guidelines for detailed instructions).

Availability and Cost:

Contact your local Tremco Representative for pricing and availability. For the name and number of your Representative, call the Roofing Division at 216/292-5000

Maintenance:

Your local Tremco Roofing Representative can provide you with effective maintenance procedures which may vary, depending upon specific conditions. Periodic inspections, early repairs and preventive maintenance are all part of a sound roof program.

Guarantee/Warranty:

Tremco Inc. warrants TremLock™ Coping to be free of defects and to meet published physical properties when tested according to ASTM and Tremco standards. Under this warranty, any TremLock™ Coping product that is proved to be defective when applied in accordance to our written instructions, and in applications recommended by Tremco as suitable for this product will be replaced with like product at no charge. THIS IS BUYERS SOLE AND EXCLUSIVE REMEDY. All claims concerning product defects must be made in writing within twelve (12) months of shipment. The absence of such claims in writing during this period will constitute a waiver of all claims with respect to such product. This warranty shall be IN LIEU OF any other warranty, express or implied, including but not limited to, any implied warranty of MERCHANTABILITY OR FITNESS FOR A PARTICULAR PURPOSE.



An RPM Company

3735 Green Road, Beachwood, Ohio 44122
1.800.562.2728 • www.tremcoroofing.com